

**MARIZ**®  
THE TIPPING POWER



**LOJA DO  
BASCULANTE**

# CILINDRO TELESCÓPICO

**TYPE : AE**

**SERIE : Ø95/3**

CYL. TYPE **AE 3/700/95-D=124 - F.Ø26 [3A OC ZB]**

For Tipping Weight See Advices Below

## Specifications

Estágios		03
Curso do Cilindro [ mm ]		700
Peso do Cilindro [ kgs ]		16.25
Volume de Trabalho [ Ltrs ]		2.40
Pressão Máxima [ Bar ]		200

## Brackets and Accessories

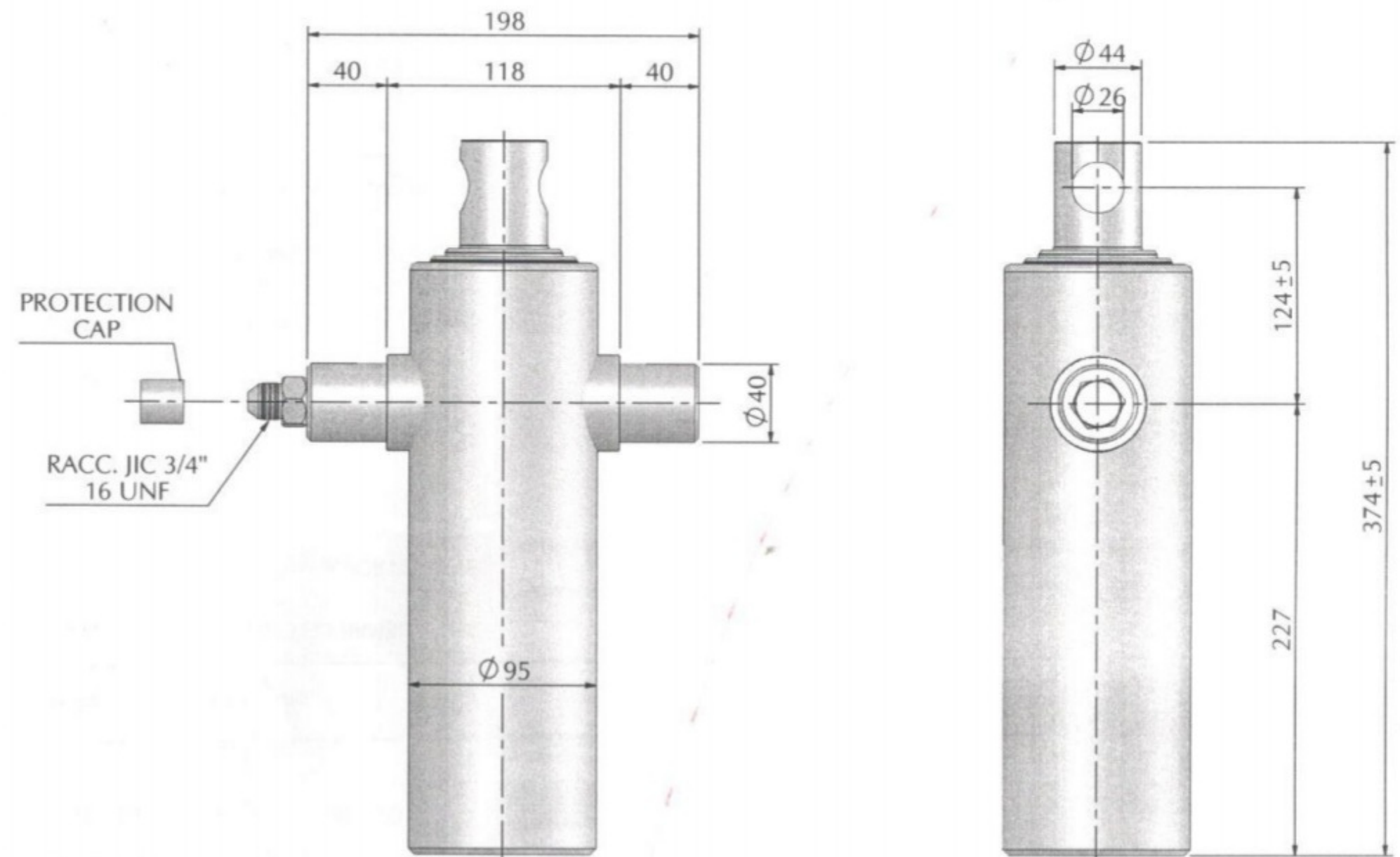
Closed brackets [ 2 Units per cylinder ]	<b>SC#CSSIN</b>	<b>1.10 [Kgs] x 2=</b>
Open brackets [ 2 Units per cylinder ]	<b>SSA#C</b>	<b>0.80 [Kgs] x 2=</b>
Cradle Type		

## Recommendation

<input type="checkbox"/> This Mariz cylinder is designed as a lifting device only
<input type="checkbox"/> It must not be used as a structural member or be subject to side loads
<input type="checkbox"/> Pump flow in consultation with Mariz engineering department

## Technical Information

<input type="checkbox"/> Oil	: See oil specification sheet
<input type="checkbox"/> Tipping weight	: Net weight + Payload



# CILINDRO TELESCÓPICO

TYPE : AI

SERIE : Ø110/3

CYL. TYPE **AI 3/1050/110 - D=124 - FØ31 [10 OC NV]**

For Tipping Weight See Advices Below

## Specifications

Estágios		03
Curso do Cilindro [ mm ]		1050
Peso do Cilindro [ kgs ]		31.45
Volume de Trabalho [ Ltrs ]		5.40
Pressão Máxima [ Bar ]		200

## Brackets and Accessories

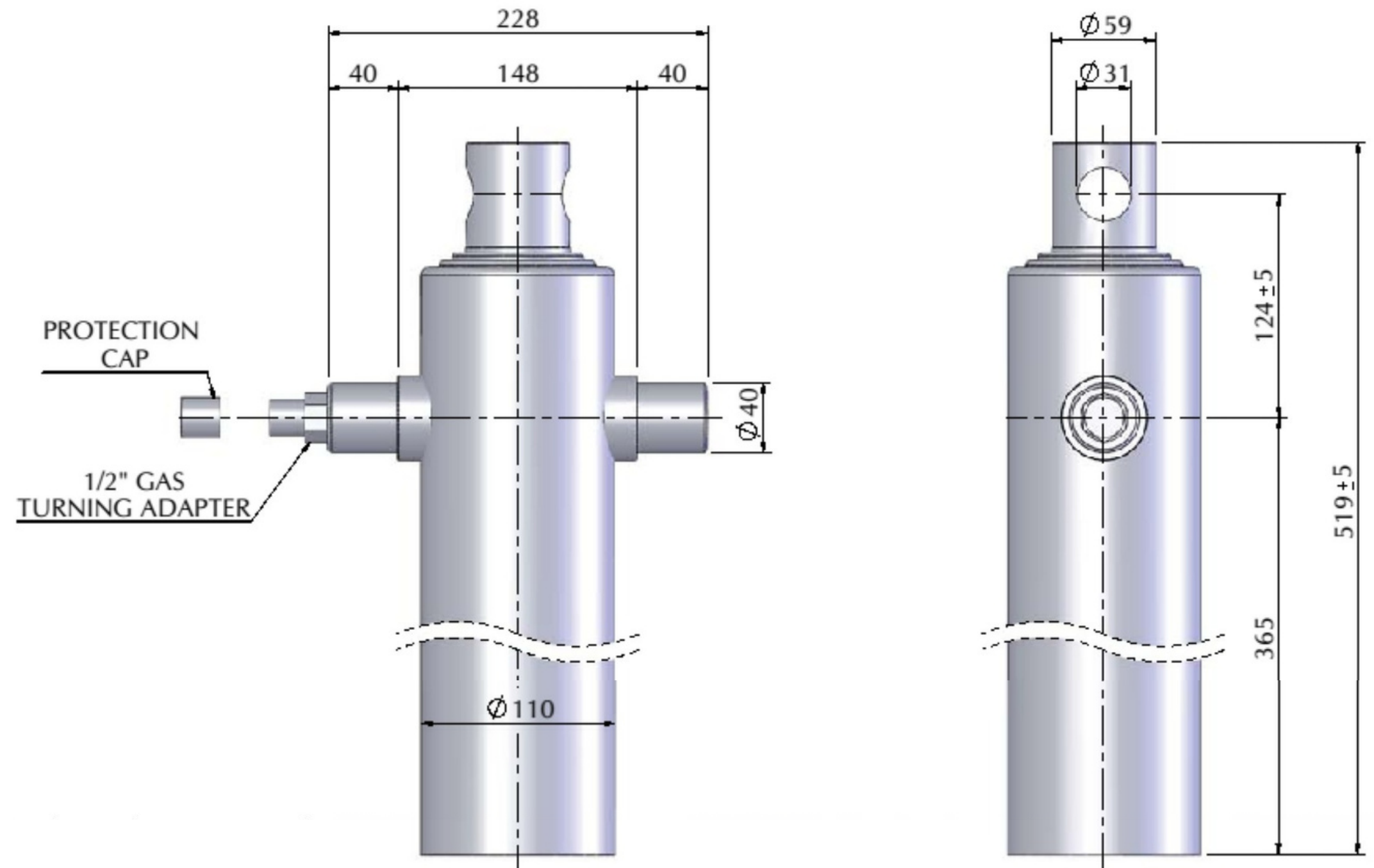
Closed brackets [ 2 Units per cylinder ]	<b>SC#CSSIN</b>	<b>1.15 [Kgs] x 2=</b>
Open brackets [ 2 Units per cylinder ]	<b>SSA#C</b>	<b>0.80 [Kgs] x 2=</b>
Cradle Type	<b>CU#AB</b>	<b>7.35 [Kgs] x 1=</b>

## Recommendation

- This Mariz cylinder is designed as a lifting device only
- It must not be used as a structural member or be subject to side loads
- Pump flow in consultation with Mariz engineering department

## Technical Information

<input type="checkbox"/> Oil	: See oil specification sheet
<input type="checkbox"/> Tipping weight	: Net weight + Payload



# CILINDRO TELESCÓPICO

TYPE : AI

SERIE : Ø125/4

CYL. TYPE **AI 4/1050/125 - D=127 - FØ31 [14 OC NV]**

For Tipping Weight See Advices Below

## Specifications

Estágios		04
Curso do Cilindro [ mm ]		1050
Peso do Cilindro [ kgs ]		31.90
Volume de Trabalho [ Ltrs ]		6.70
Pressão Máxima [ Bar ]		200

## Brackets and Accessories

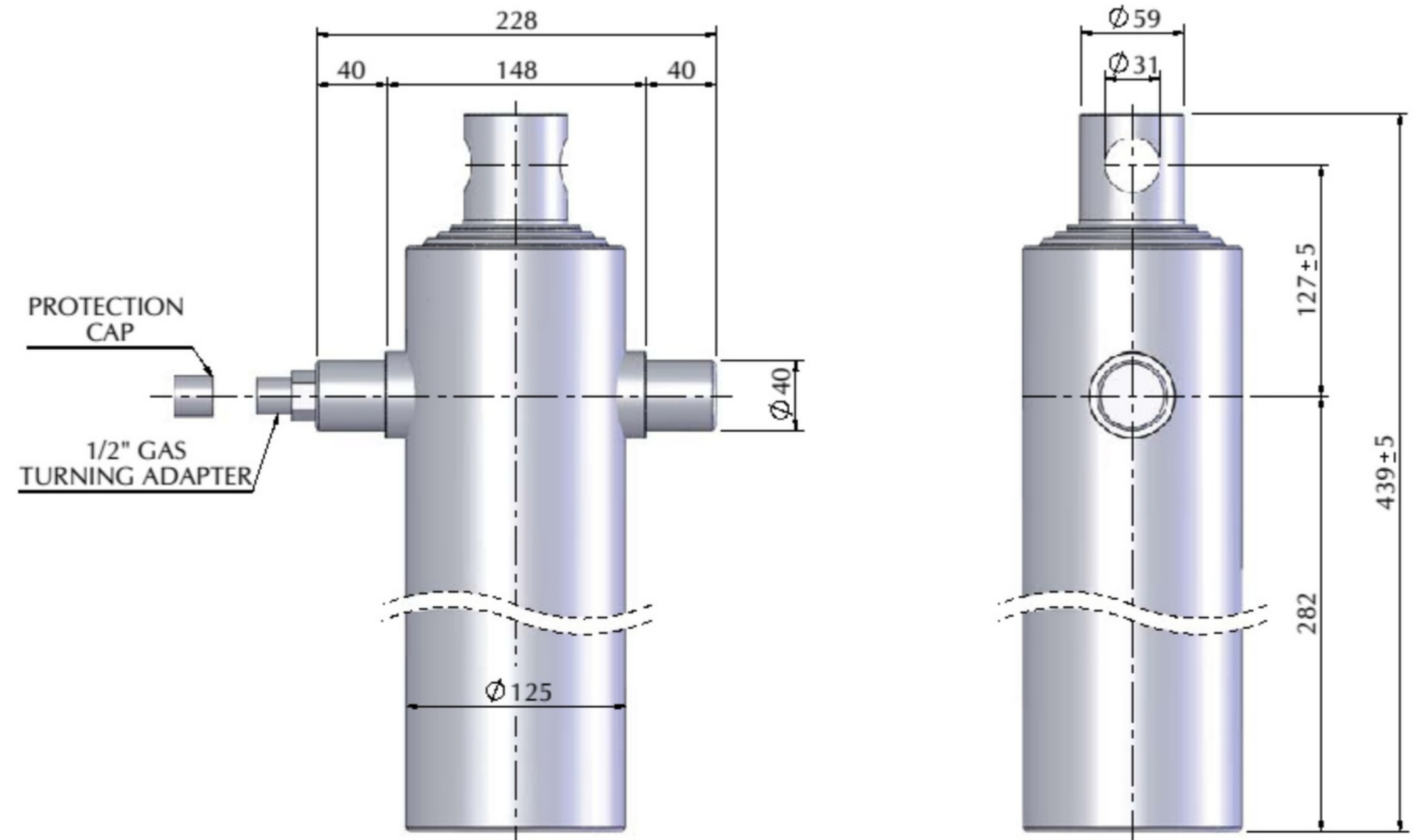
Closed brackets [ 2 Units per cylinder ]	<b>SC#CSSIN</b>	<b>1.15 [Kgs] x 2=</b>
Open brackets [ 2 Units per cylinder ]	<b>SSA#C</b>	<b>0.80 [Kgs] x 2=</b>
Cradle Type	<b>CU#AB</b>	<b>7.35 [Kgs] x 1=</b>

## Recommendation

<input type="checkbox"/> This Mariz cylinder is designed as a lifting device only
<input type="checkbox"/> It must not be used as a structural member or be subject to side loads
<input type="checkbox"/> Pump flow in consultation with Mariz engineering department

## Technical Information

<input type="checkbox"/> Oil	: See oil specification sheet
<input type="checkbox"/> Tipping weight	: Net weight + Payload



# CILINDRO TELESCÓPICO

TYPE : AI

SERIE : Ø125/4

CYL. TYPE **AI 4/1500/125 - D=127 - FØ31 [18 OC NV]**

For Tipping Weight See Advices Below

## Specifications

Estágios		04
Curso do Cilindro [ mm ]		1500
Peso do Cilindro [ kgs ]		40.35
Volume de Trabalho [ Ltrs ]		9.35
Pressão Máxima [ Bar ]		200

## Brackets and Accessories

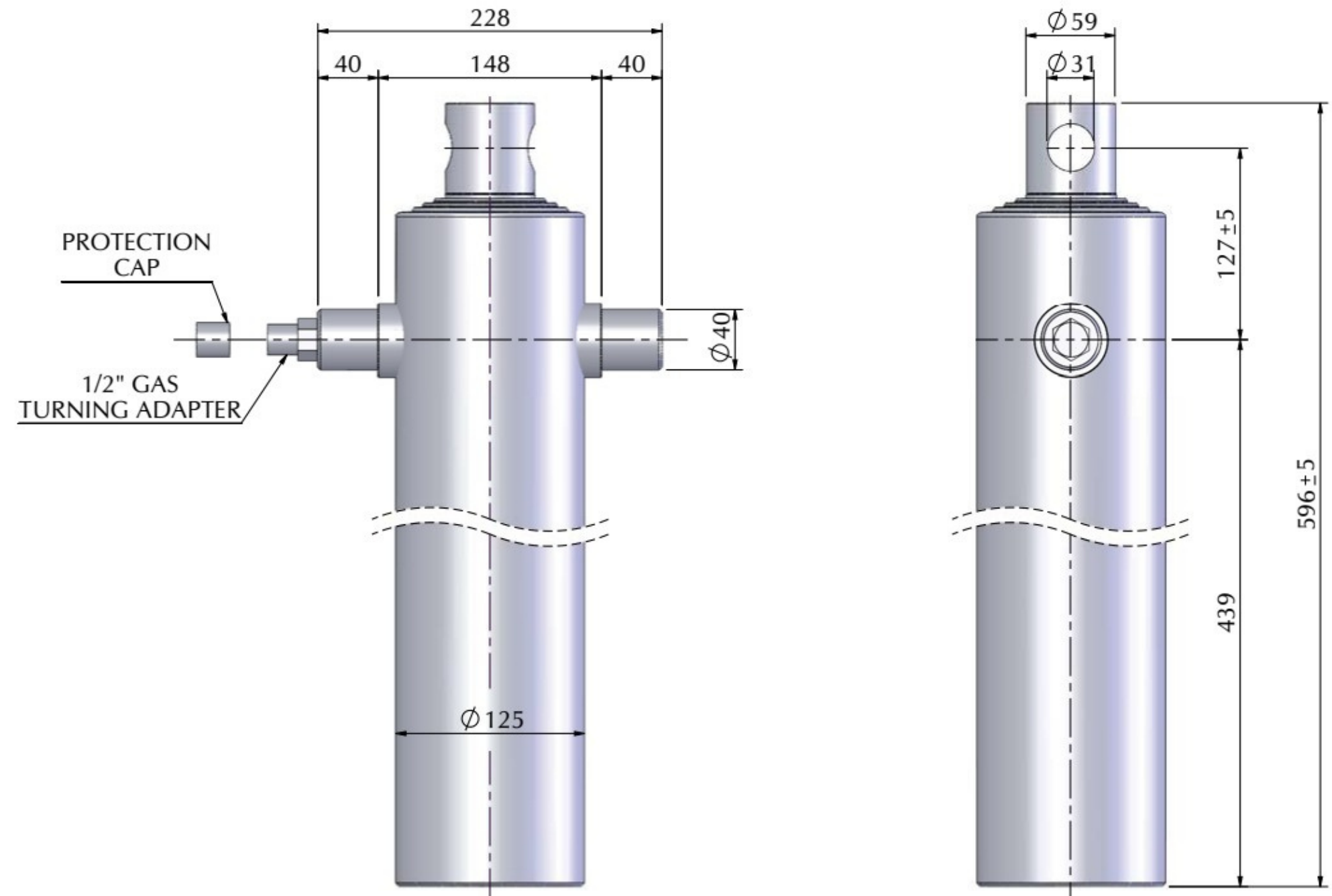
Closed brackets [ 2 Units per cylinder ]	<b>SC#CSSIN</b>	<b>1.10 [Kgs] x 2=</b>
Open brackets [ 2 Units per cylinder ]	<b>SSA#C</b>	<b>0.80 [Kgs] x 2=</b>
Cradle Type	<b>CU#AB</b>	<b>7.35 [Kgs] x 1=</b>

## Recommendation

<input type="checkbox"/> This Mariz cylinder is designed as a lifting device only
<input type="checkbox"/> It must not be used as a structural member or be subject to side loads
<input type="checkbox"/> Pump flow in consultation with Mariz engineering department

## Technical Information

<input type="checkbox"/> Oil	: See oil specification sheet
<input type="checkbox"/> Tipping weight	: Net weight + Payload



# CILINDRO TELESCÓPICO

TYPE : AI

SERIE : Ø125/4

CYL. TYPE **AI 4/1700/125 - D=127 - FØ31 [19 OC NV]**

For Tipping Weight See Advices Below

## Specifications

Estágios		04
Curso do Cilindro [ mm ]		1700
Peso do Cilindro [ kgs ]		44.20
Volume de Trabalho [ Ltrs ]		10.60
Pressão Máxima [ Bar ]		200

## Brackets and Accessories

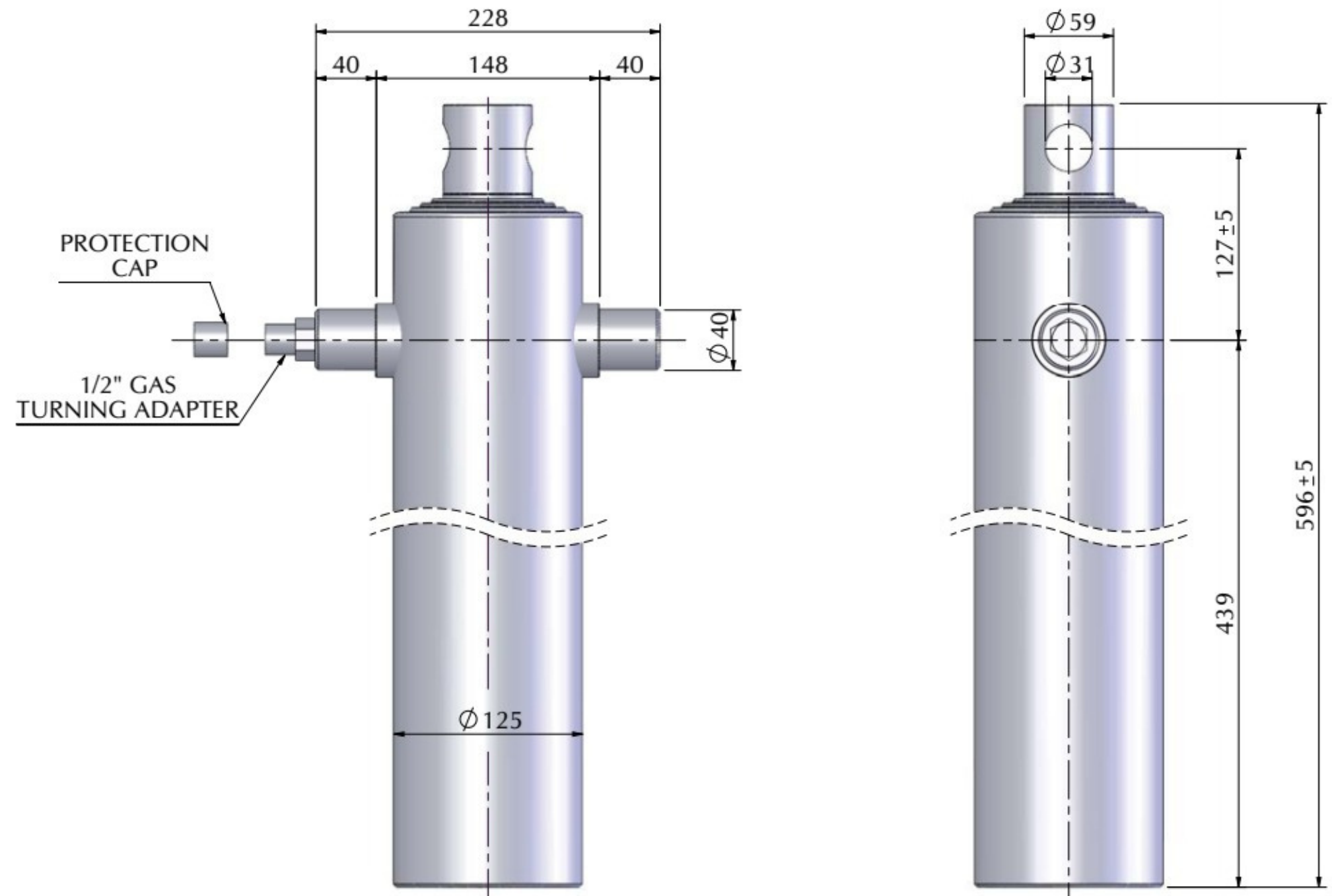
Closed brackets [ 2 Units per cylinder ]	<b>SC#CSSIN</b>	<b>1.10 [Kgs] x 2=</b>
Open brackets [ 2 Units per cylinder ]	<b>SSA#C</b>	<b>0.80 [Kgs] x 2=</b>
Cradle Type	<b>CU#AB</b>	<b>7.35 [Kgs] x 1=</b>

## Recommendation

<input type="checkbox"/> This Mariz cylinder is designed as a lifting device only
<input type="checkbox"/> It must not be used as a structural member or be subject to side loads
<input type="checkbox"/> Pump flow in consultation with Mariz engineering department

## Technical Information

<input type="checkbox"/> Oil	: See oil specification sheet
<input type="checkbox"/> Tipping weight	: Net weight + Payload



# CILINDRO TELESCÓPICO

**TYPE : BI**

**SERIE : Ø145/5**

CYL. TYPE **BI 5/1500/145 - D=176 [27 CR ZB NV]**

For Tipping Weight See Advices Below

## Specifications

Estágios	05
Curso do Cilindro [ mm ]	1500
Peso do Cilindro [ kgs ]	45.40
Volume de Trabalho [ Ltrs ]	11.20
Pressão Máxima [ Bar ]	180

## Brackets and Accessories

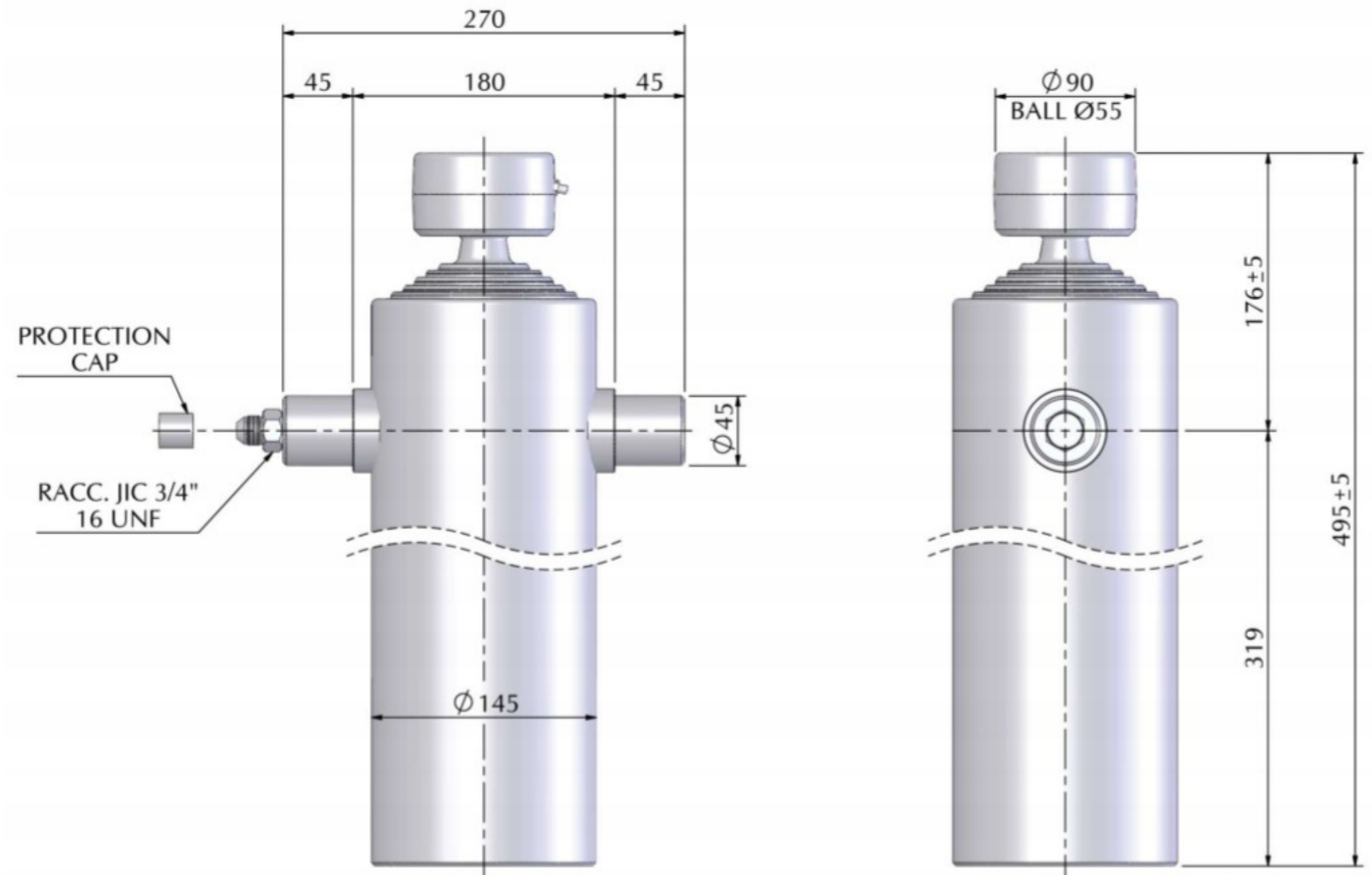
Closed brackets [ 2 Units per cylinder ]	<b>SC#CSSIN</b>	<b>1.10 [Kgs] x 2=</b>
Open brackets [ 2 Units per cylinder ]	<b>SSA#C</b>	<b>0.80 [Kgs] x 2=</b>
Cradle Type	<b>CU#AB</b>	<b>12.90 [Kgs] x 1=</b>

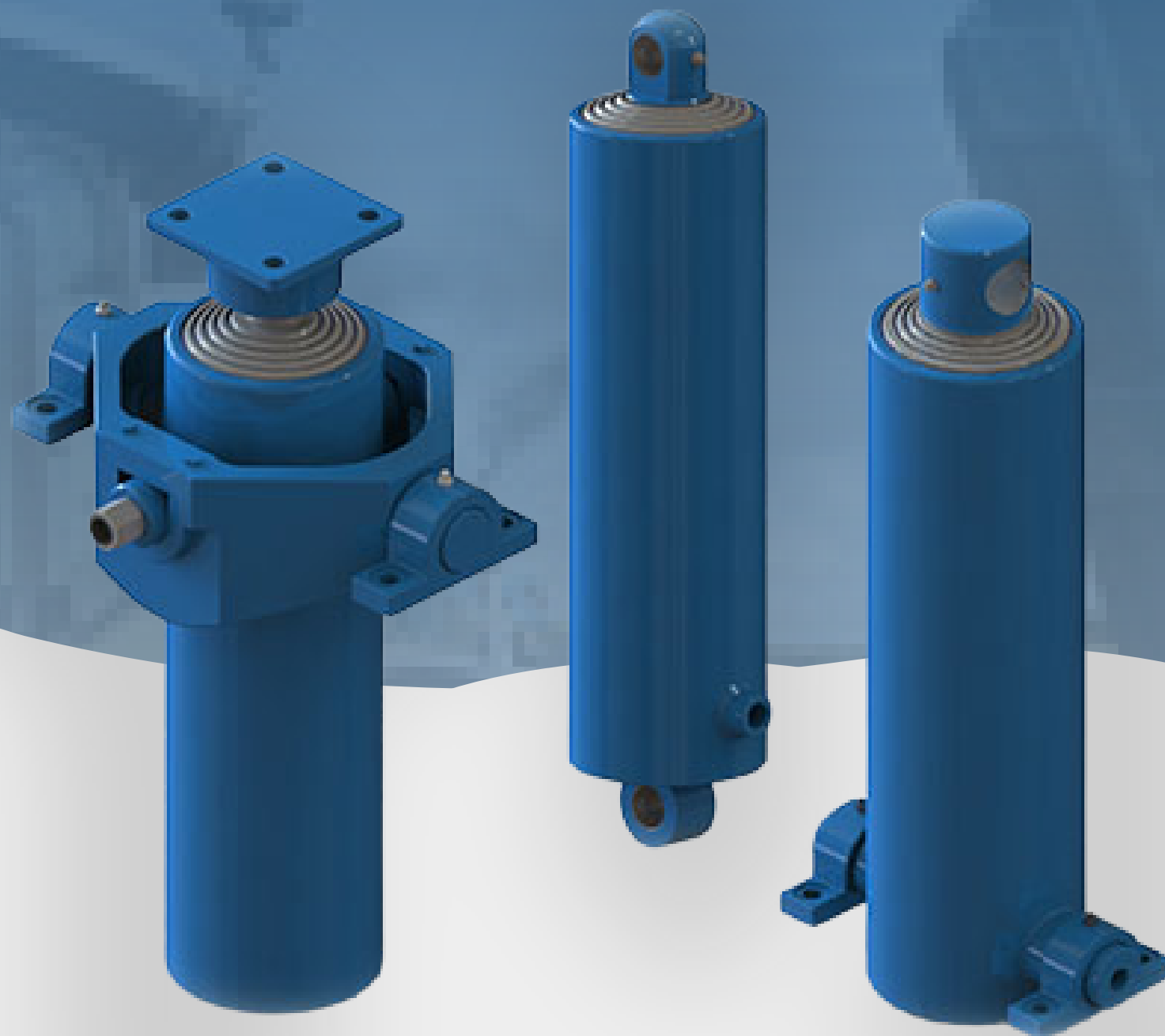
## Recommendation

- This Mariz cylinder is designed as a lifting device only
- It must not be used as a structural member or be subject to side loads
- Pump flow in consultation with Mariz engineering department

## Technical Information

- Oil : See oil specification sheet
- Tipping weight : Net weight + Payload





**LOJA DO  
BASCULANTE**

## **Atendimento Especializado**

**☎(54) 3067-1077/ WhatsApp (54) 99900-5499**

**✉ lojadobasculante@lojadobasculante.com.br**

**R. Danilo Antônio Bridi, 419 - Bela Vista  
Caxias do Sul/ RS**